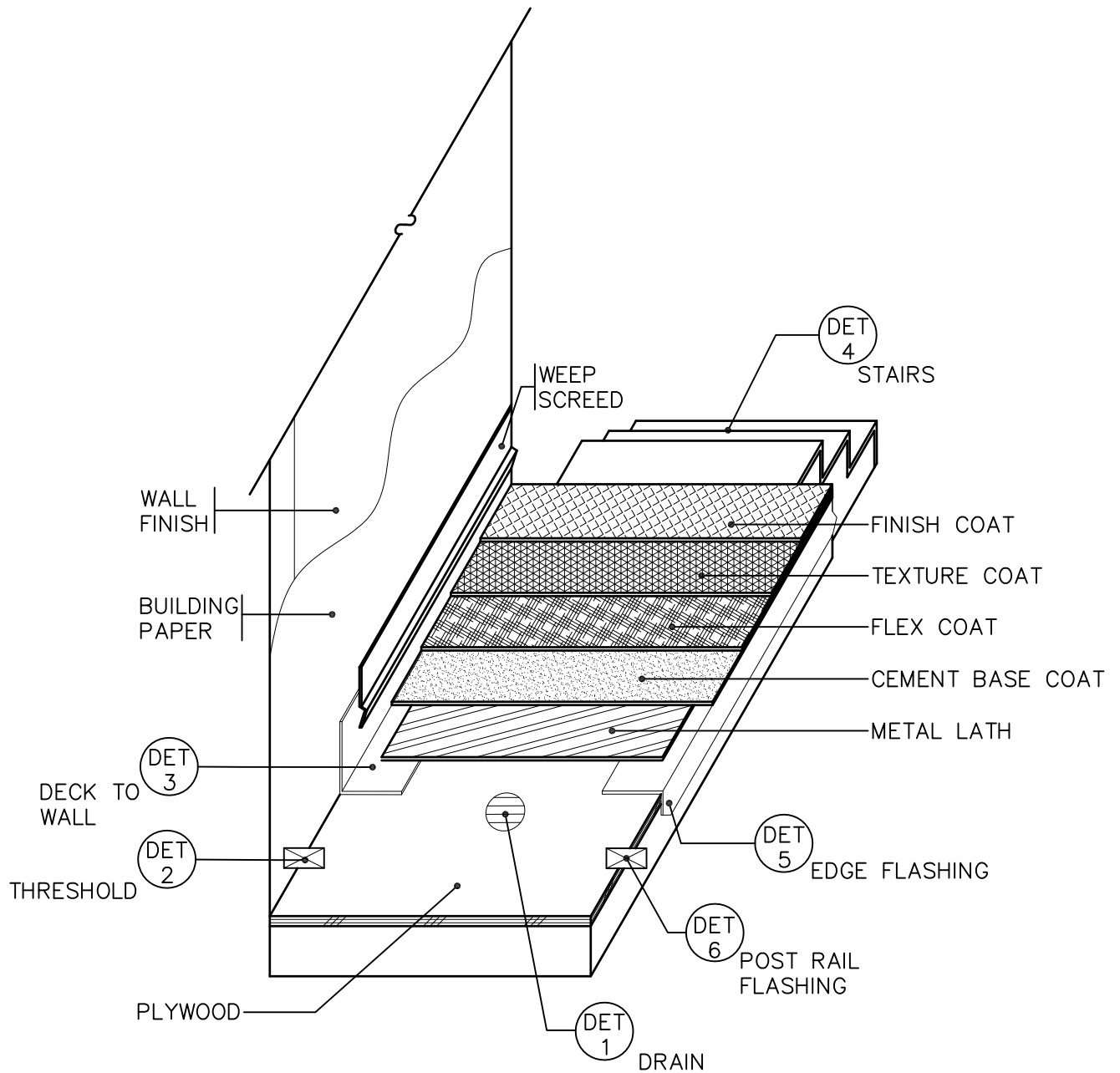


LIFE DECK SPECIALTY PRODUCTS AL FLEX WATERPROOFING SYSTEM



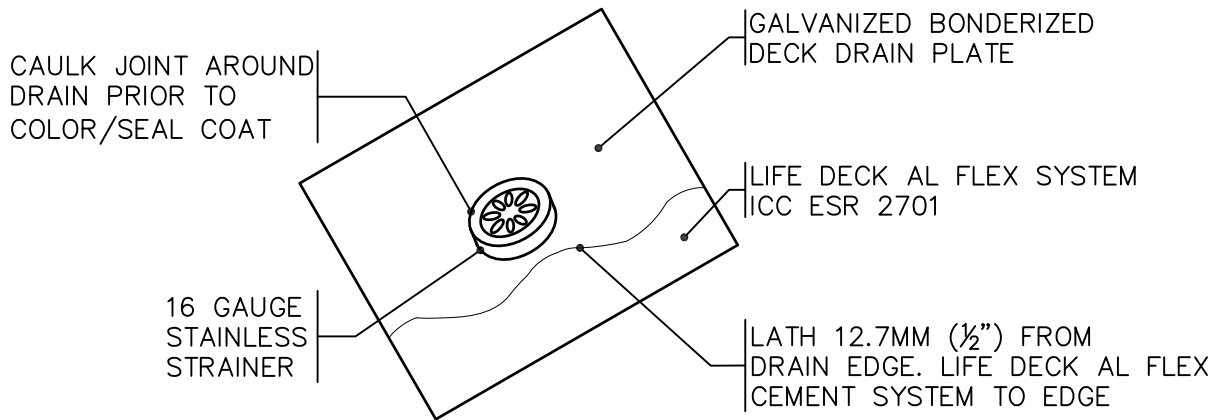
OVERVIEW AND DETAIL APPENDIX

LIFE SPECIALTY COATINGS

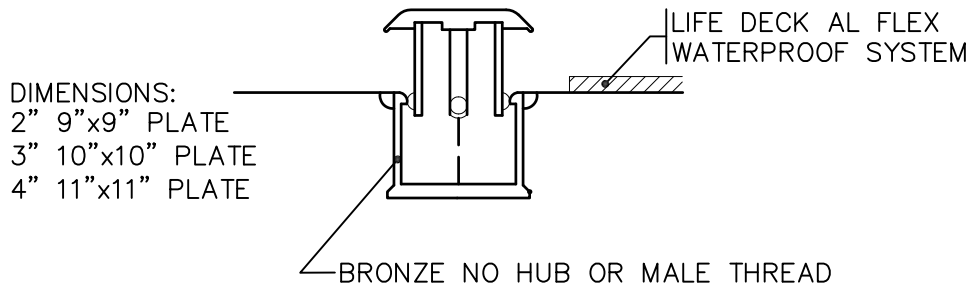


LIFE PAINT COMPANY
12927 Sunshine Avenue
Santa Fe Springs, CA 90670

www.lifedeck.biz
info@lifepaint.com
(562) 944-6391



DECK DRAIN
PLATE MEASUREMENTS



DET.:

1

PLYWOOD DECK DRAIN

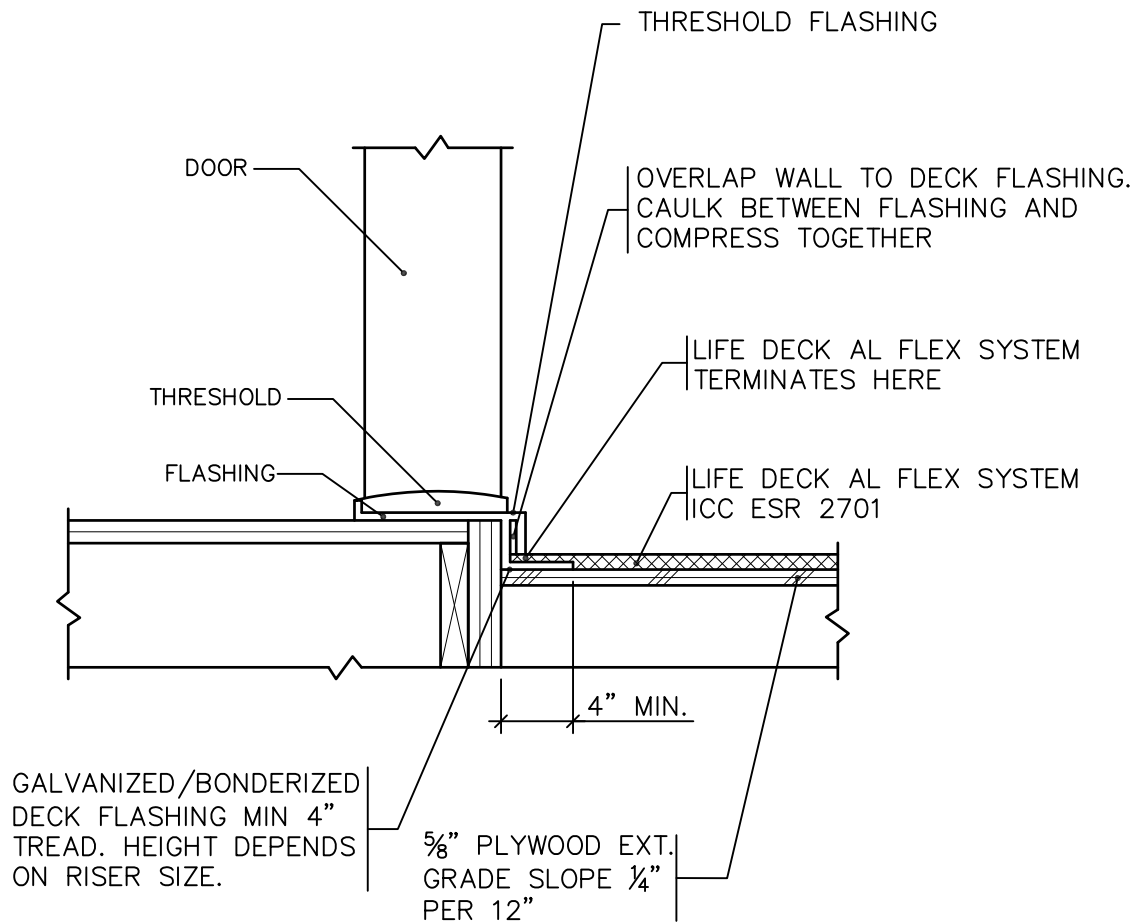
LIFE SPECIALTY COATINGS



LIFE PAINT COMPANY
12927 Sunshine Avenue
Santa Fe Springs, CA 90670

www.lifedeck.biz
info@lifepaint.com
(562) 944-6391

NOTE: APPLY MANUFACTURER'S RECOMMENDED JOINT SEALANT BEFORE COMPLETION OF LIFE DECK AL FLEX FINISH COAT



DET.:
2A

THRESHOLD FLASHING
DOUBLE FLASHING FOR-152MM (2"-6") STEP UP

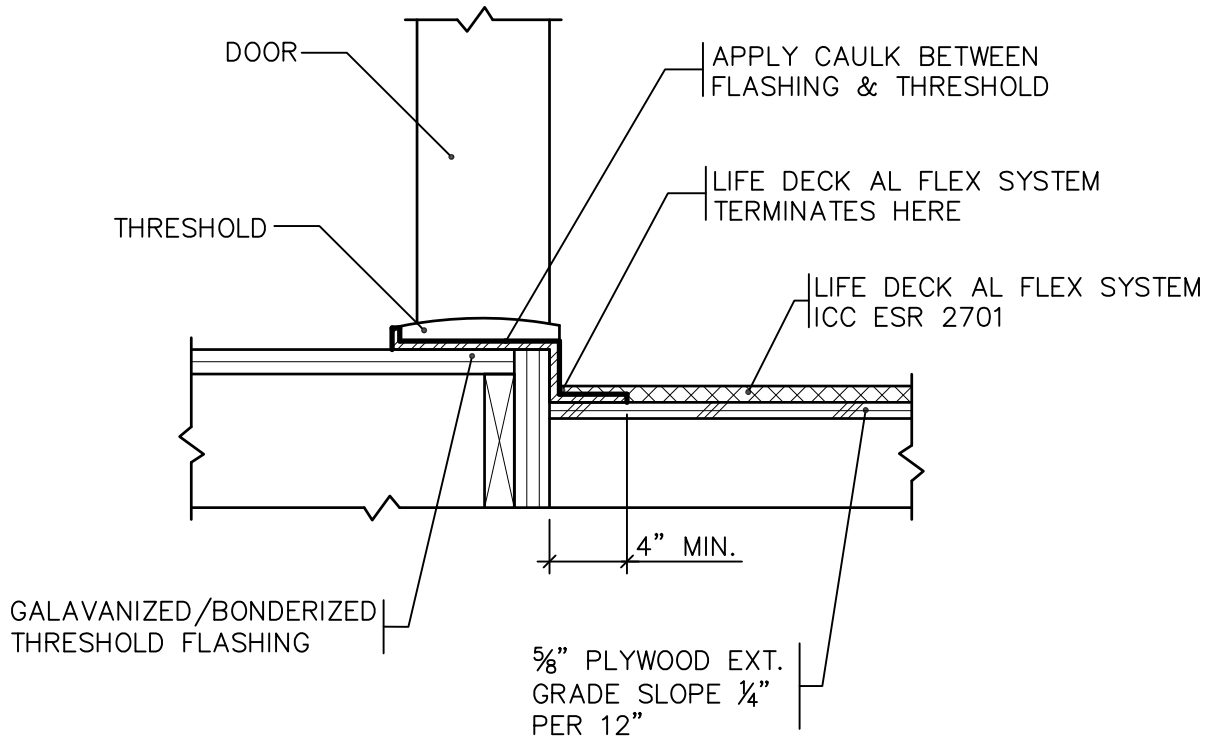
LIFE SPECIALTY COATINGS



LIFE PAINT COMPANY
12927 Sunshine Avenue
Santa Fe Springs, CA 90670

www.lifedeck.biz
info@lifepaint.com
(562) 944-6391

NOTE: APPLY MANUFACTURER'S RECOMMENDED JOINT SEALANT BEFORE COMPLETION OF LIFE DECK AL FLEX FINISH COAT



DET.:
2B

PAN FLASHING
SINGLE FLASHING FOR-51MM (2") STEP UP

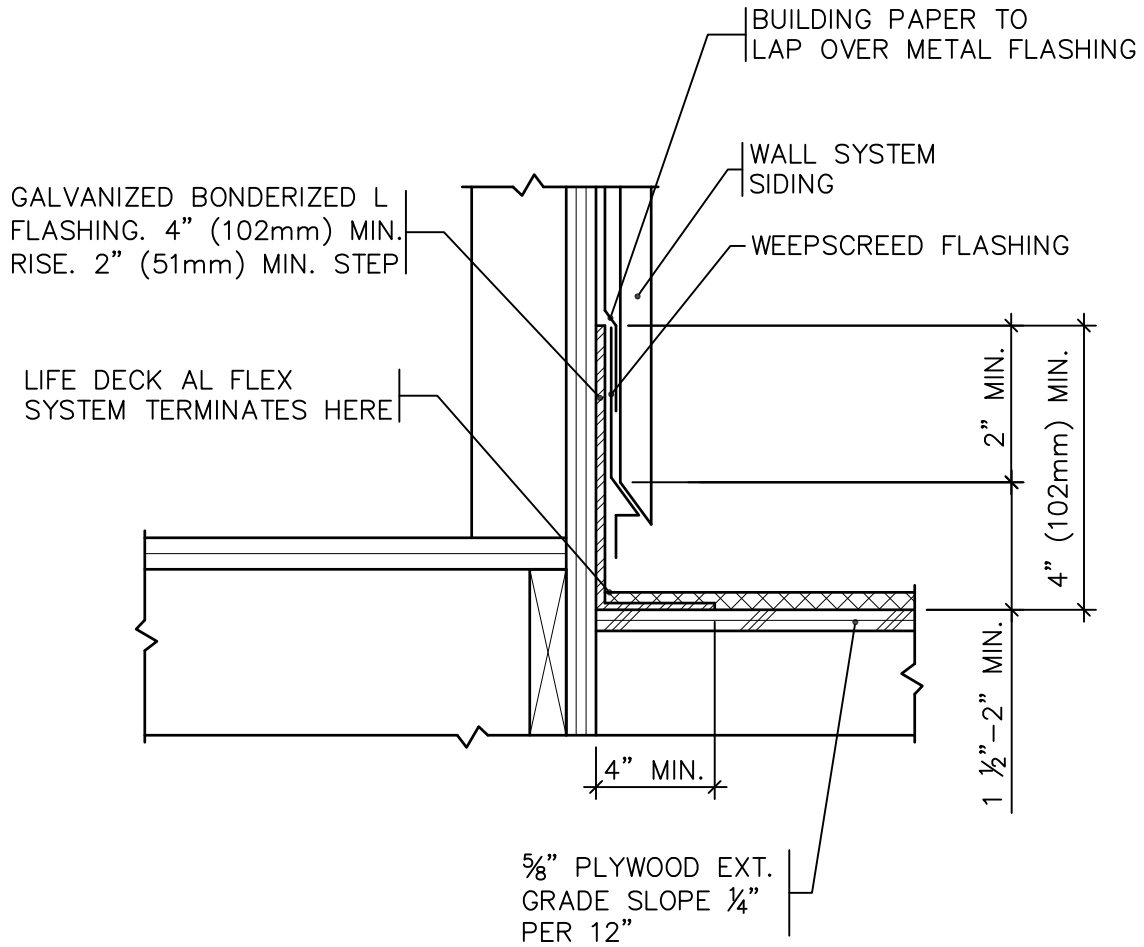
LIFE SPECIALTY COATINGS



LIFE PAINT COMPANY
12927 Sunshine Avenue
Santa Fe Springs, CA 90670

www.lifedeck.biz
info@lifepaint.com
(562) 944-6391

NOTE: APPLY MANUFACTURER'S RECOMMENDED JOINT AFTER COMPLETION OF LIFE DECK AL FLEX COLOR/SEAL COAT



DET.:
3A

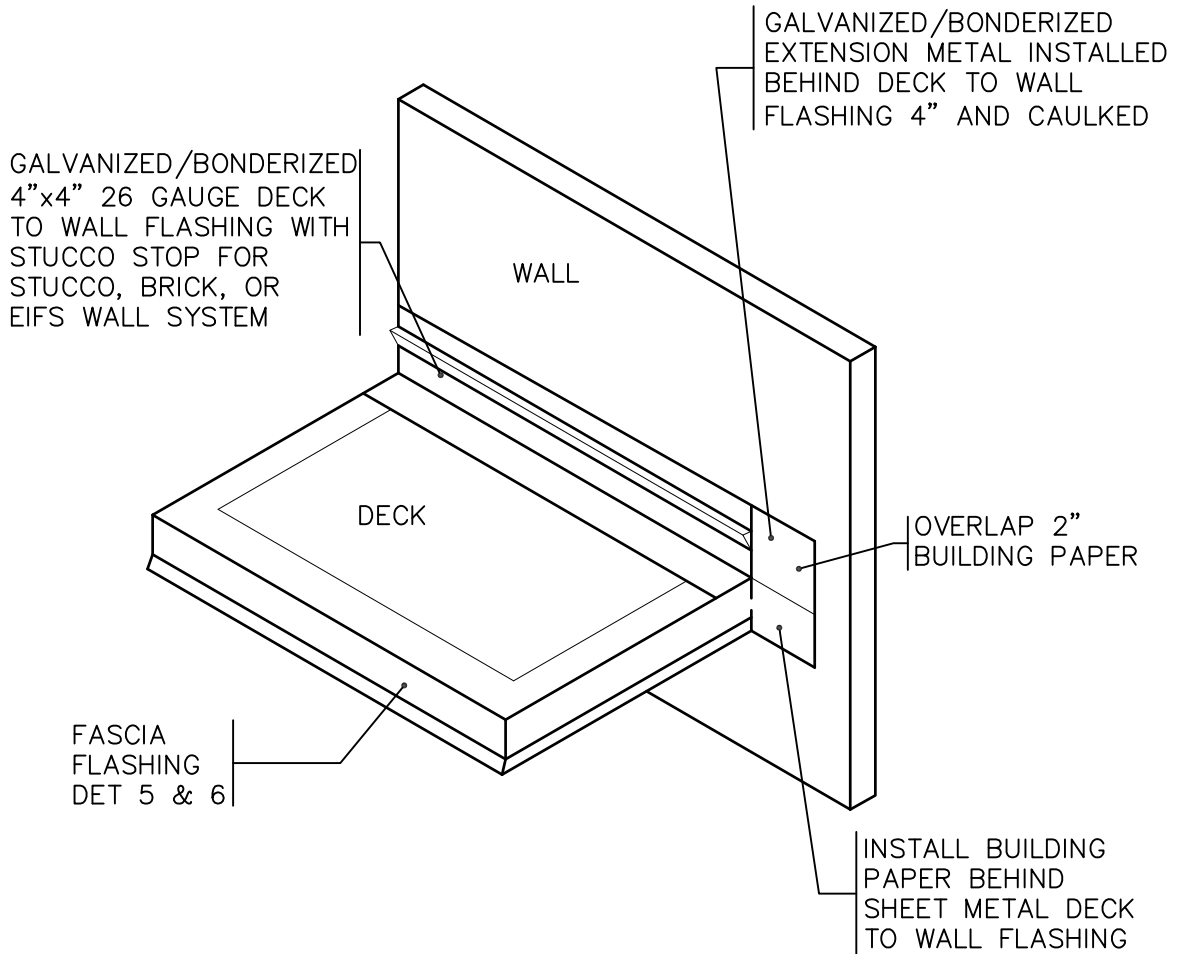
DECK TO WALL FLASHING
FOR WALL SYSTEM AND SIDING

LIFE SPECIALTY COATINGS



LIFE PAINT COMPANY
12927 Sunshine Avenue
Santa Fe Springs, CA 90670

www.lifedeck.biz
info@lifepaint.com
(562) 944-6391



DET.:
3B

FLASHING INTERSECTION
FASCIA, WALL, DECK

LIFE SPECIALTY COATINGS



LIFE PAINT COMPANY
12927 Sunshine Avenue
Santa Fe Springs, CA 90670

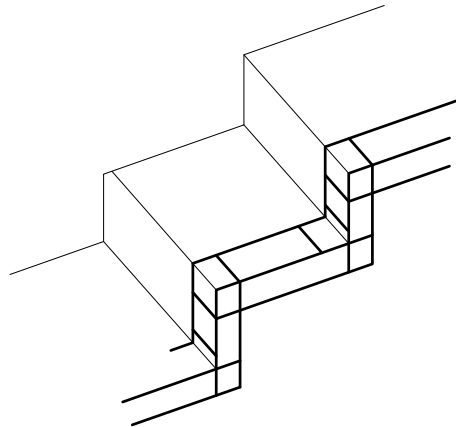
www.lifedeck.biz
info@lifepaint.com
(562) 944-6391

EDGE

NOTE

ST – STAIR TREAD DIMENSION

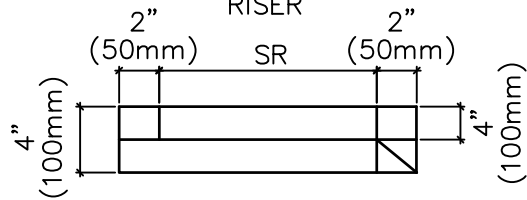
SR – STAIR RISER DIMENSION



TREAD

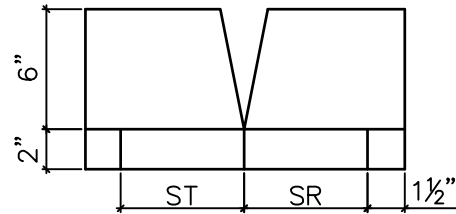
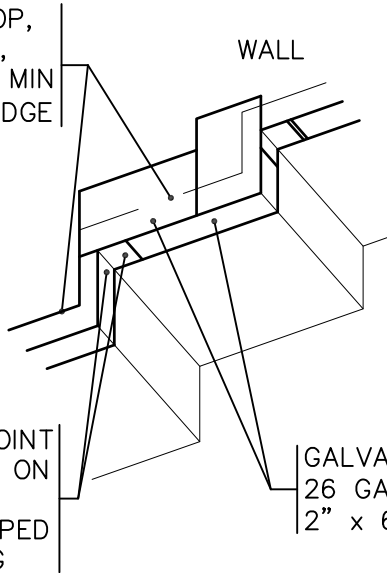


RISER



STUCCO STOP, EIFS, SIDING, HOLD BACK MIN 1½" FROM EDGE

WALL



APPLY JOINT SEALANT ON ALL OVERLAPPED FLASHING

GALVANIZED/BONDERIZED 26 GAUGE FLASHING 2" x 6"

DET.:

4

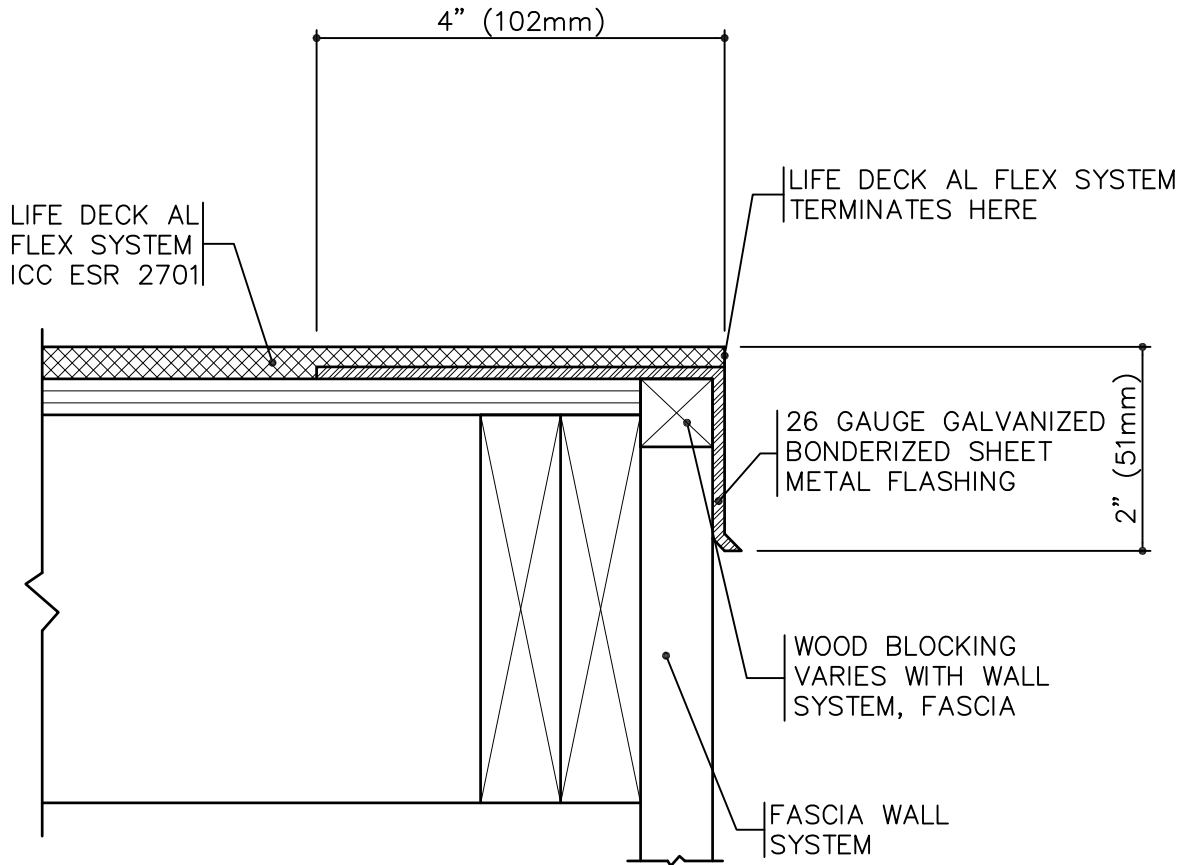
STAIRWAY FLASHING

LIFE SPECIALTY COATINGS



LIFE PAINT COMPANY
12927 Sunshine Avenue
Santa Fe Springs, CA 90670

www.lifedeck.biz
info@lifepaint.com
(562) 944-6391



DET.:
5A

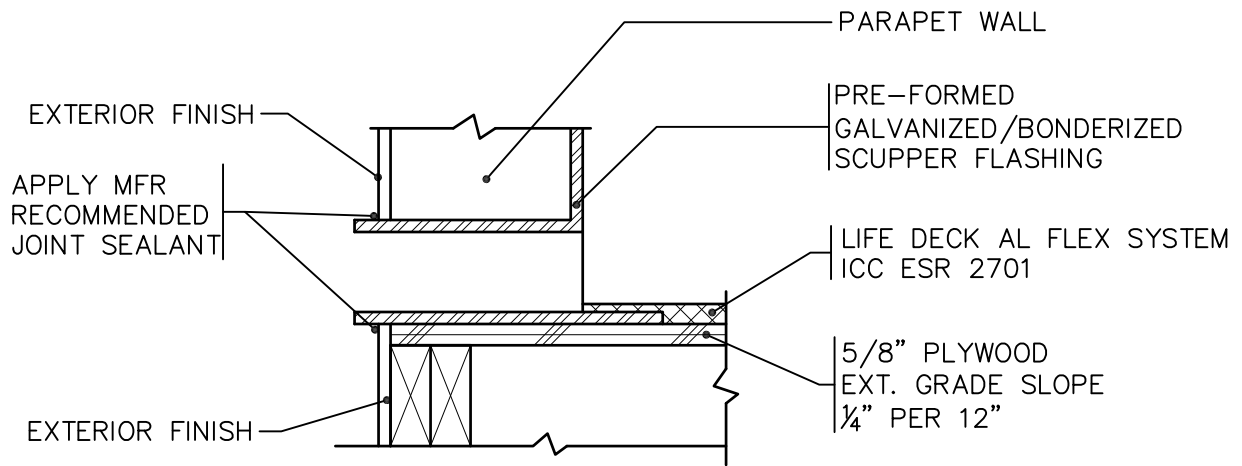
FASCIA

LIFE SPECIALTY COATINGS

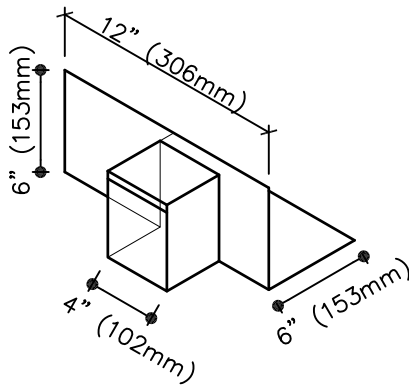


LIFE PAINT COMPANY
12927 Sunshine Avenue
Santa Fe Springs, CA 90670

www.lifedeck.biz
info@lifepaint.com
(562) 944-6391



SCUPPER DIAGRAM



DET.:
5B

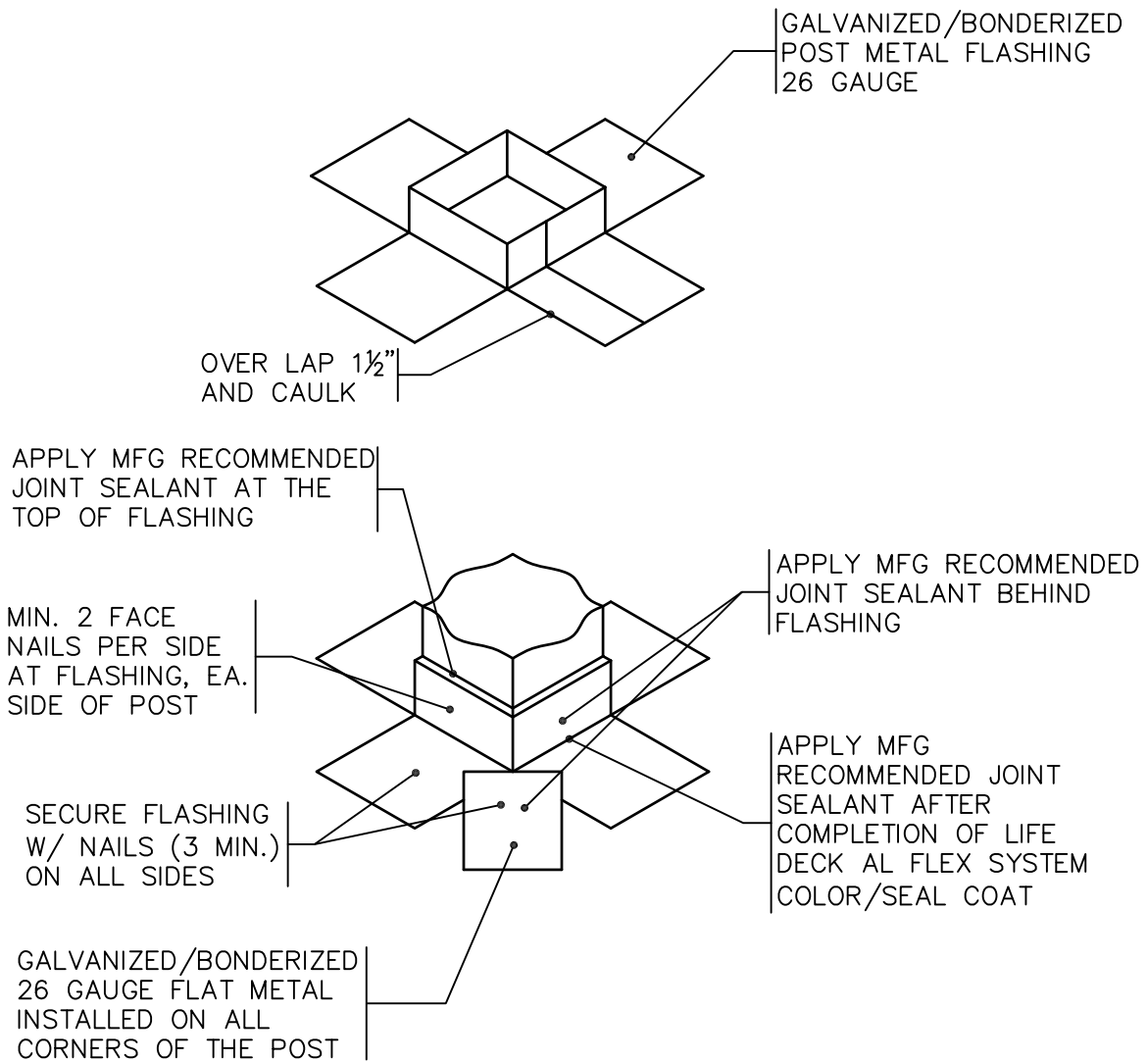
SCUPPER

LIFE SPECIALTY COATINGS



LIFE PAINT COMPANY
 12927 Sunshine Avenue
 Santa Fe Springs, CA 90670

www.lifedeck.biz
info@lifepaint.com
 (562) 944-6391



DET.:
6A

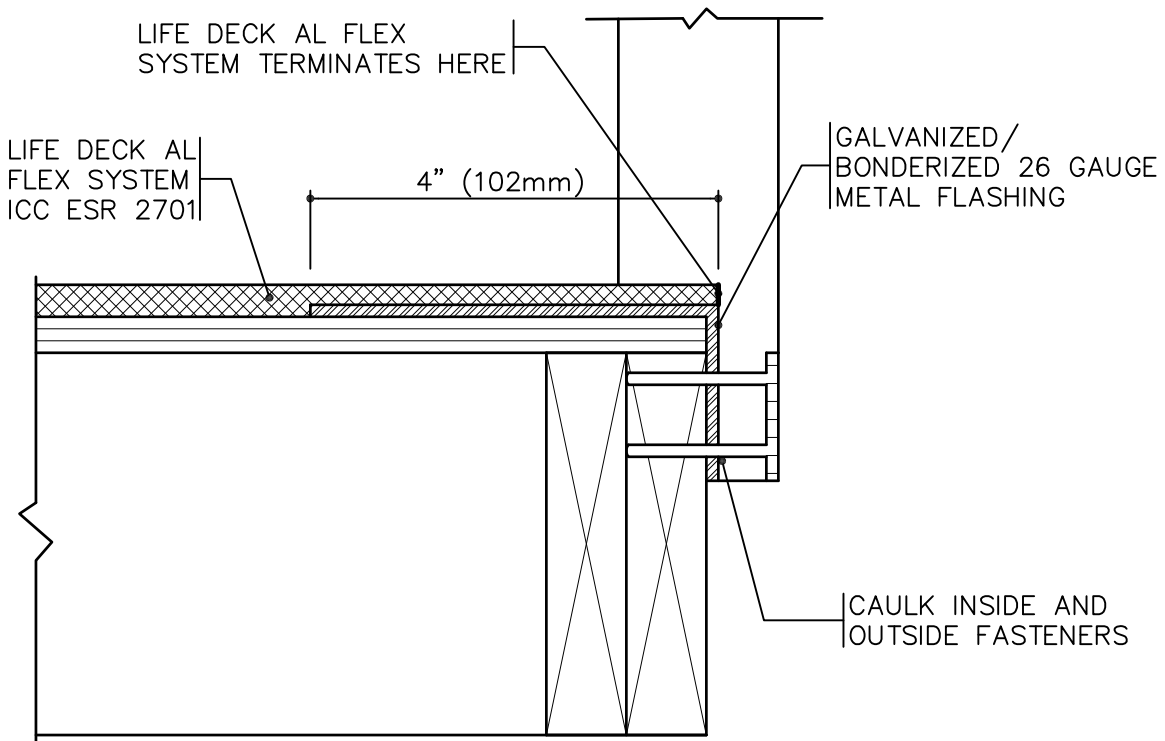
POST FLASHING

LIFE SPECIALTY COATINGS



LIFE PAINT COMPANY
12927 Sunshine Avenue
Santa Fe Springs, CA 90670

www.lifedeck.biz
info@lifepaint.com
(562) 944-6391



DET.:
6B

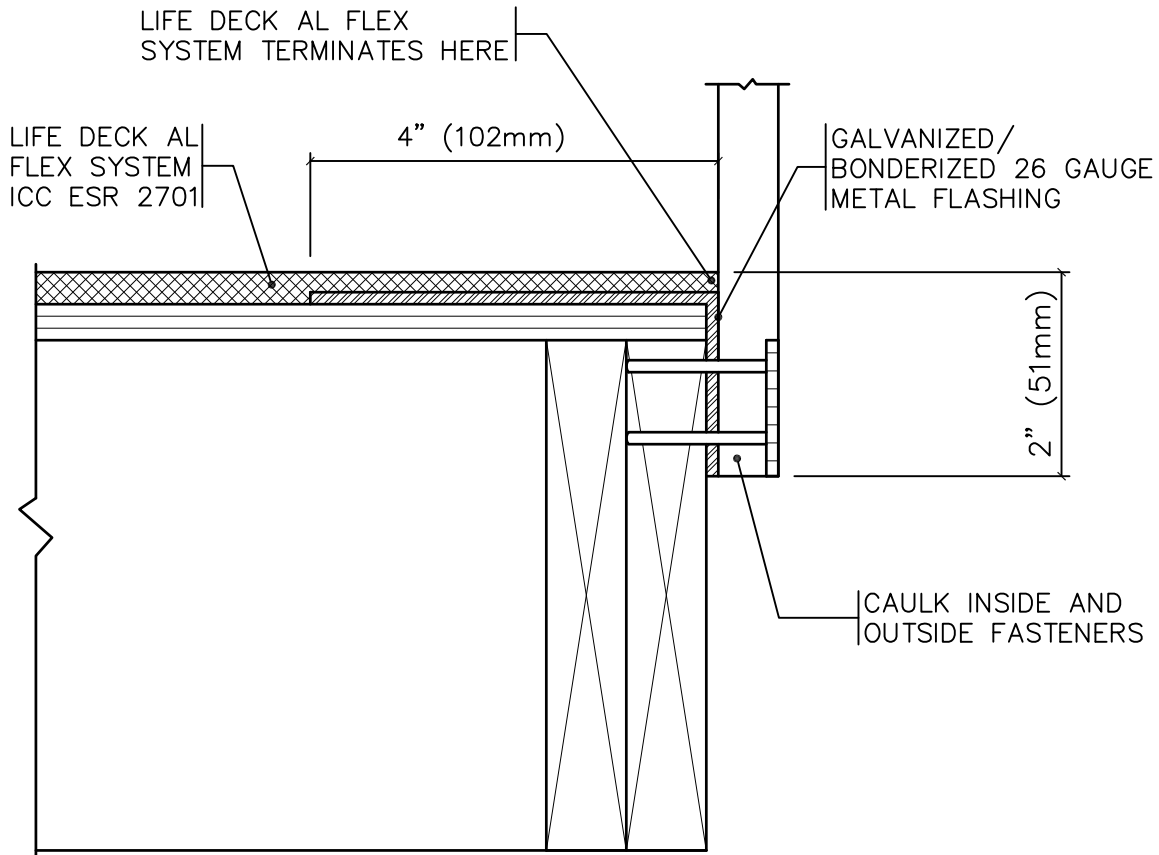
CANTILEVERED RAIL

LIFE SPECIALTY COATINGS



LIFE PAINT COMPANY
12927 Sunshine Avenue
Santa Fe Springs, CA 90670

www.lifedeck.biz
info@lifepaint.com
(562) 944-6391



DET.:
6C

FASCIA MOUNTED RAIL

LIFE SPECIALTY COATINGS



LIFE PAINT COMPANY
12927 Sunshine Avenue
Santa Fe Springs, CA 90670

www.lifedeck.biz
info@lifepaint.com
(562) 944-6391