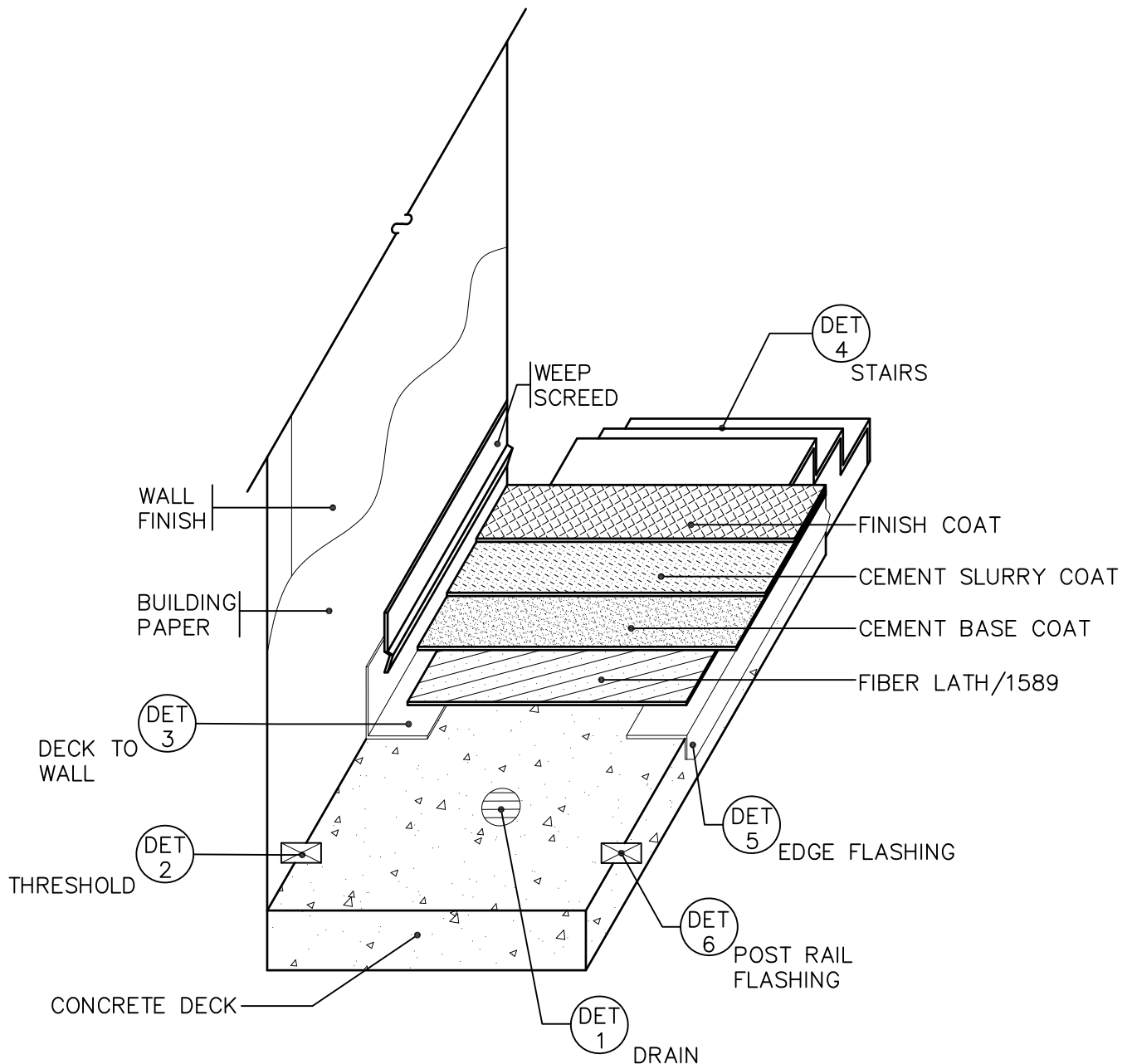


# LIFE DECK SPECIALTY COATINGS MC WATERPROOFING SYSTEM

## CONCRETE DECK OVERVIEW AND DETAIL APPENDIX



## OVERVIEW AND DETAIL APPENDIX

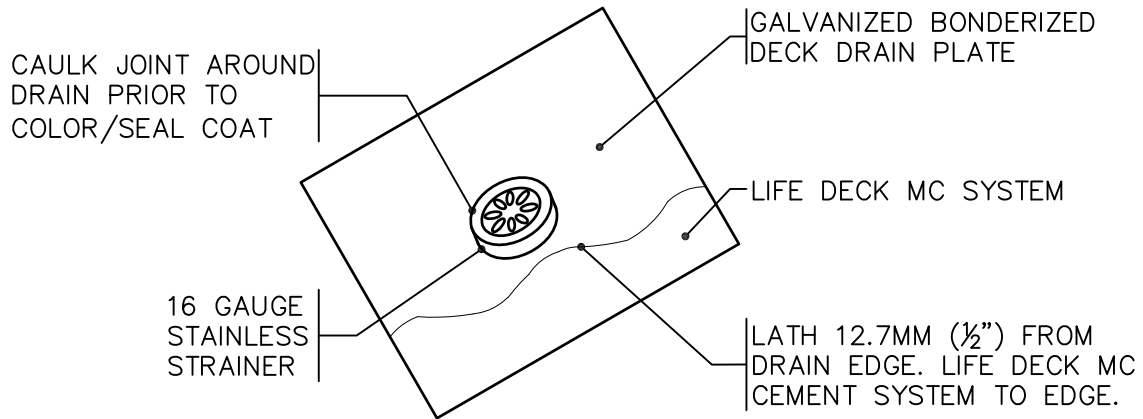
## LIFE SPECIALTY COATINGS



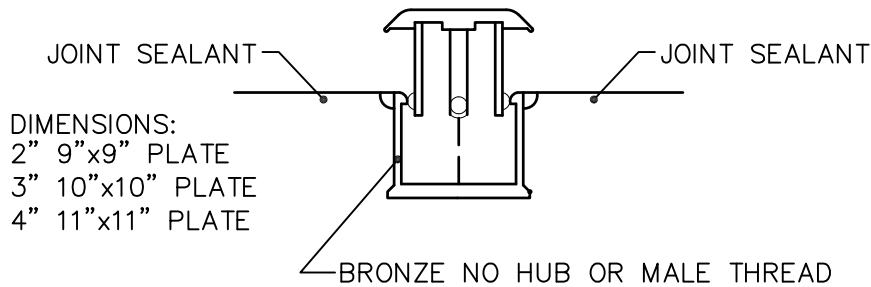
LIFE PAINT COMPANY  
12927 Sunshine Avenue  
Santa Fe Springs, CA 90670

[www.lifedeck.biz](http://www.lifedeck.biz)  
[info@lifepaint.com](mailto:info@lifepaint.com)  
(562) 944-6391

NOTE: APPLY LIFEPAINT APPROVED JOINT SEALANT LIBERALLY TO ADHERE DRAIN TO CONCRETE SURFACE.



### DECK DRAIN PLATE MEASUREMENTS



DET.:  
**1**

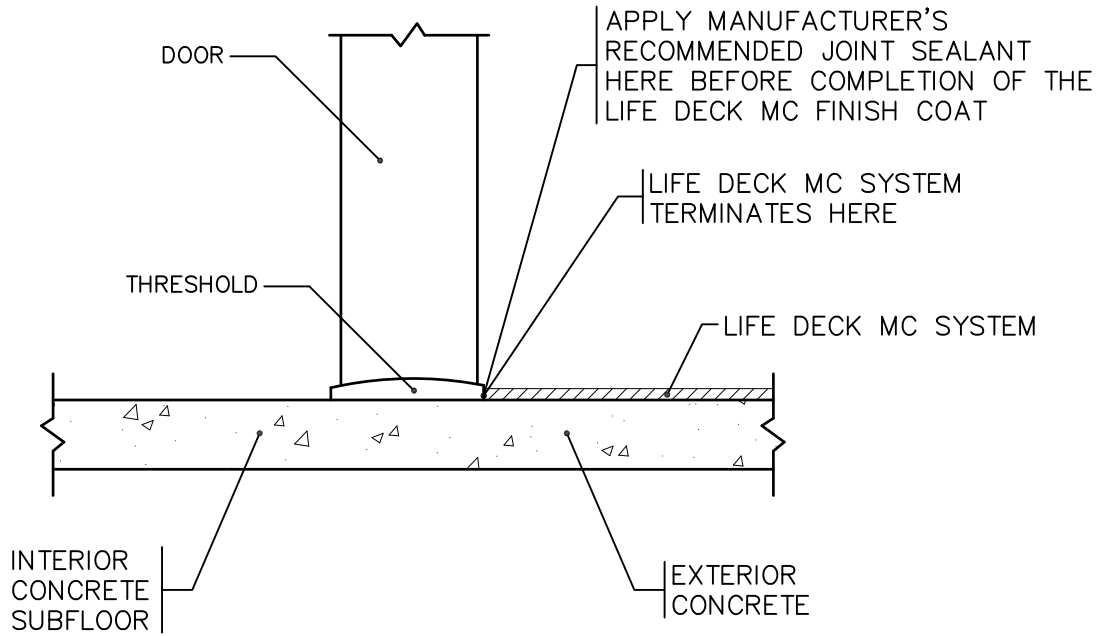
## CONCRETE DECK DRAIN

## LIFE SPECIALTY COATINGS



LIFE PAINT COMPANY  
12927 Sunshine Avenue  
Santa Fe Springs, CA 90670

[www.lifedeck.biz](http://www.lifedeck.biz)  
[info@lifepaint.com](mailto:info@lifepaint.com)  
(562) 944-6391



DET.:

2

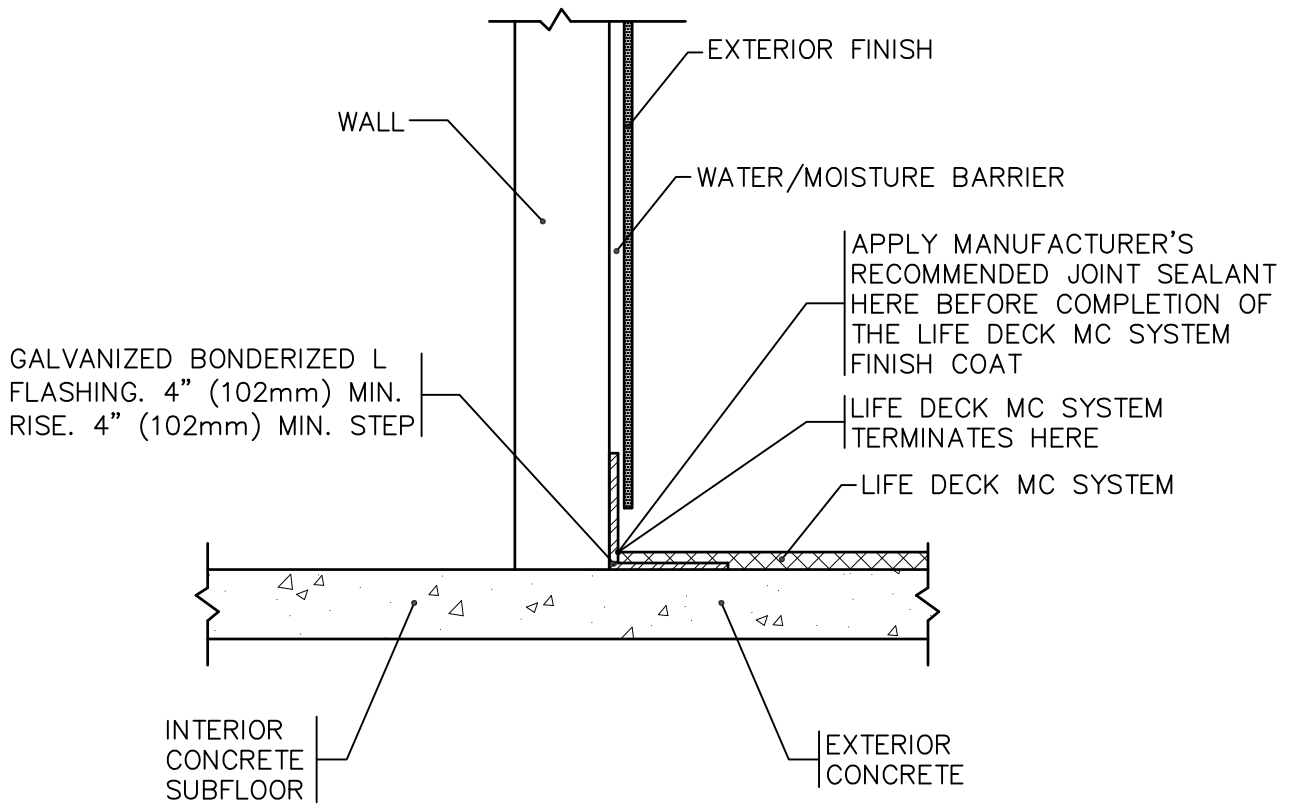
THRESHOLD CONTINUOUS SUBFLOOR TO EXTERIOR CONCRETE DECK

# LIFE SPECIALTY COATINGS



LIFE PAINT COMPANY  
 12927 Sunshine Avenue  
 Santa Fe Springs, CA 90670

[www.lifedeck.biz](http://www.lifedeck.biz)  
[info@lifepaint.com](mailto:info@lifepaint.com)  
 (562) 944-6391



DET.:  
**3A**

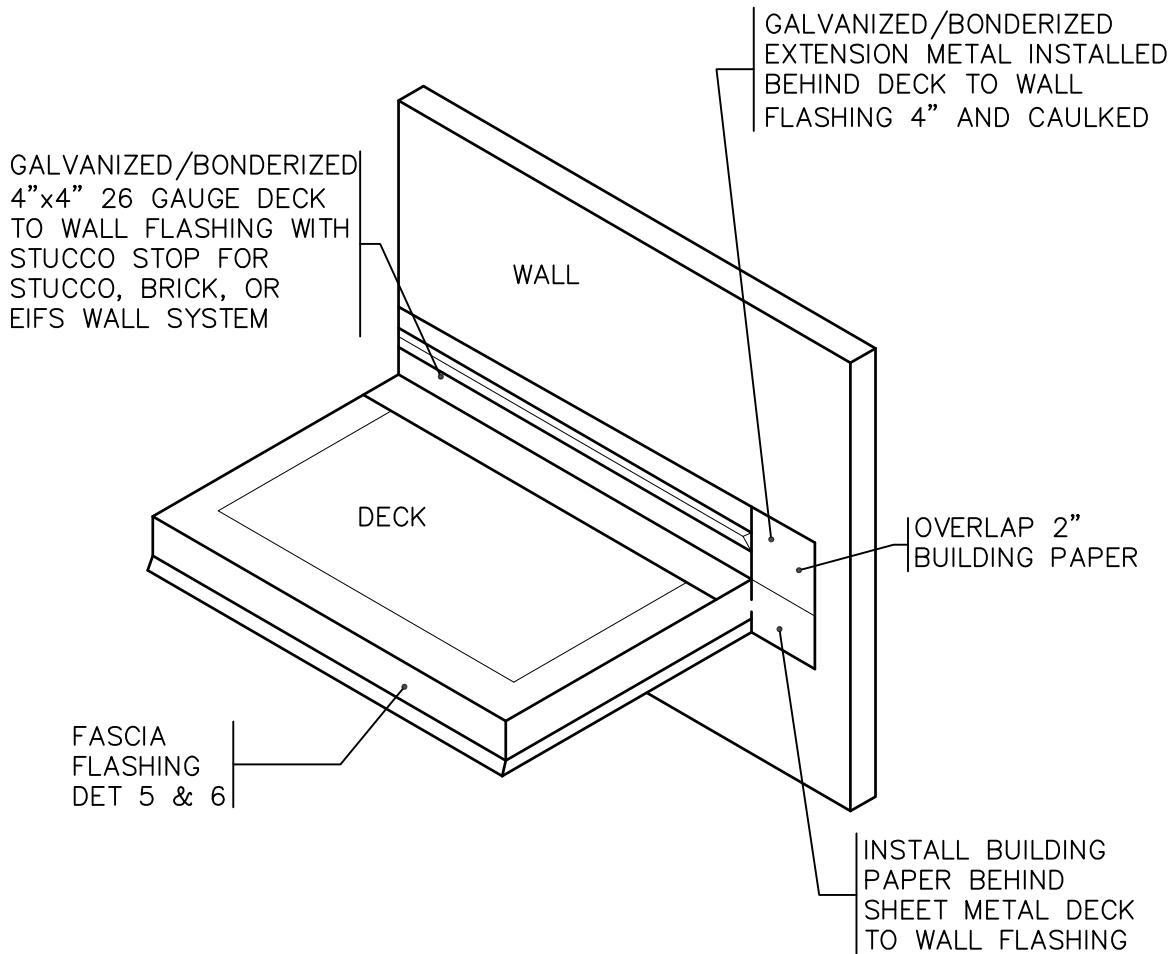
## DECK TO WALL

## LIFE SPECIALTY COATINGS



LIFE PAINT COMPANY  
12927 Sunshine Avenue  
Santa Fe Springs, CA 90670

[www.lifedeck.biz](http://www.lifedeck.biz)  
[info@lifepaint.com](mailto:info@lifepaint.com)  
(562) 944-6391



DET.:  
**3B**

FLASHING INTERSECTION  
FASCIA, WALL, DECK

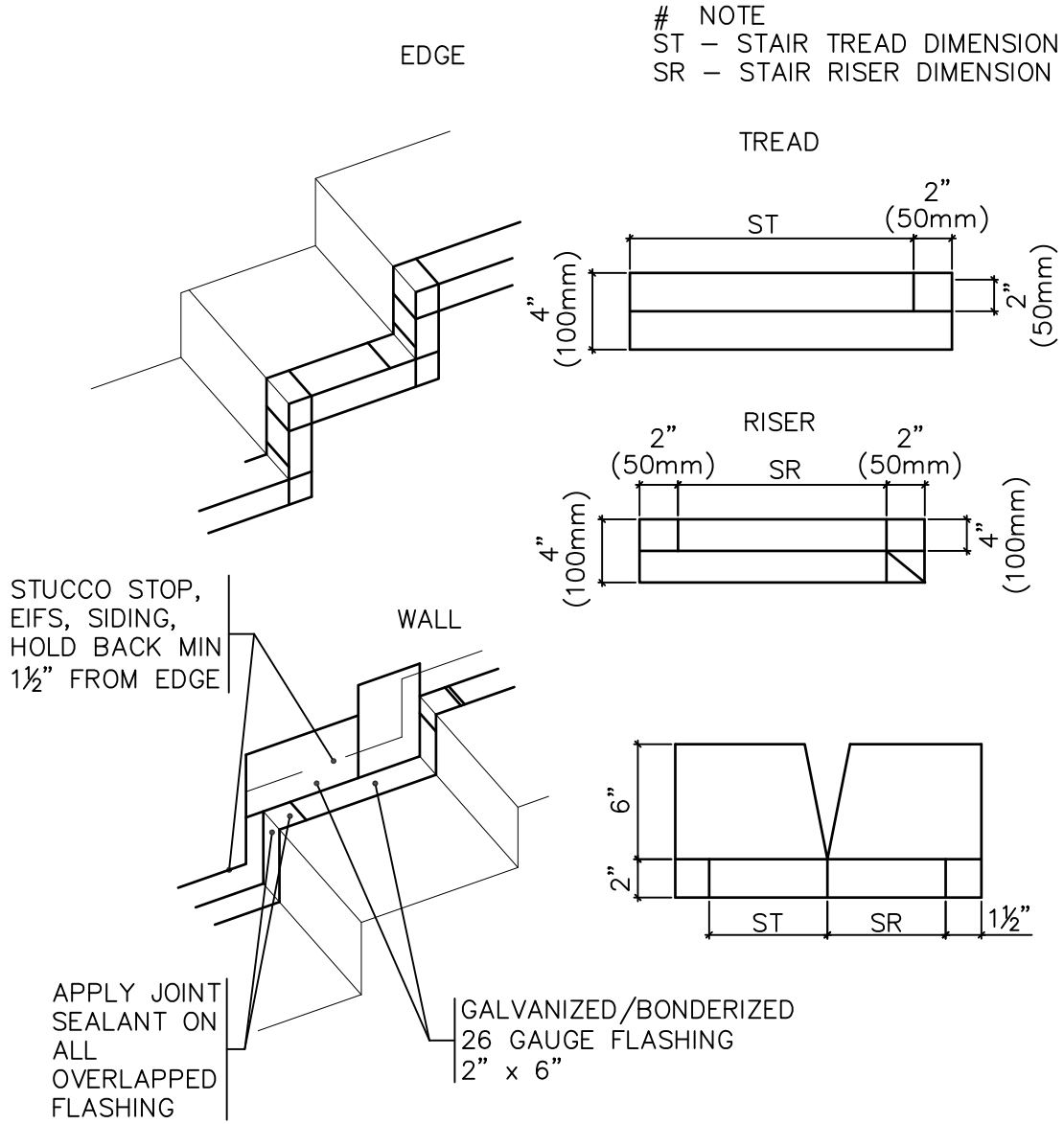
**LIFE SPECIALTY COATINGS**



LIFE PAINT COMPANY  
12927 Sunshine Avenue  
Santa Fe Springs, CA 90670

[www.lifedeck.biz](http://www.lifedeck.biz)  
[info@lifepaint.com](mailto:info@lifepaint.com)  
(562) 944-6391

NOTE: APPLY LIFEPAINT APPROVED JOINT SEALANT LIBERALLY TO ADHERE METAL FLASHING TO CONCRETE SURFACE.



# NOTE  
ST – STAIR TREAD DIMENSION  
SR – STAIR RISER DIMENSION

DET.:  
**4**

# STAIRWAY FLASHING

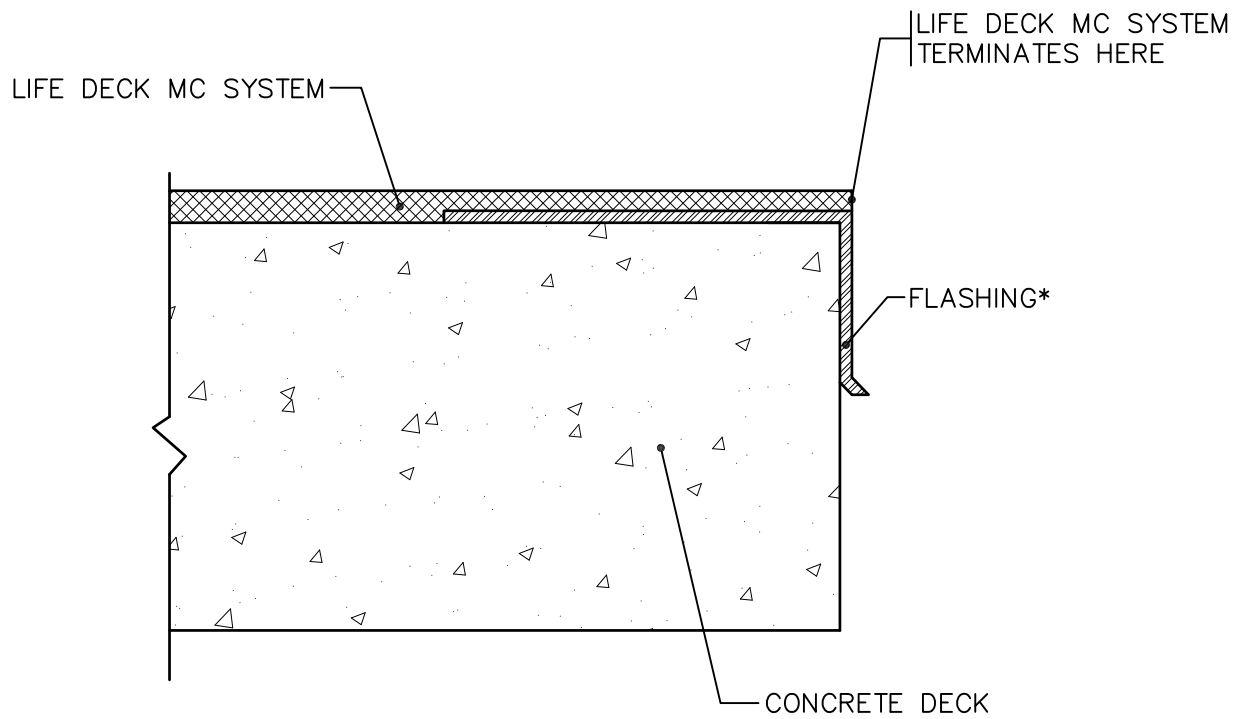
## LIFE SPECIALTY COATINGS



LIFE PAINT COMPANY  
12927 Sunshine Avenue  
Santa Fe Springs, CA 90670

[www.lifedeck.biz](http://www.lifedeck.biz)  
[info@lifepaint.com](mailto:info@lifepaint.com)  
(562) 944-6391

\*FLASHING NOTE: 26 GAUGE  
GALVANIZED/BONDERIZED SHEET METAL  
FLASHING. 4" MIN (102mm) STEP. 2"  
MIN (51mm) FACING WITH DRIP EDGE.



DET.:  
**5**

## FASCIA

# LIFE SPECIALTY COATINGS

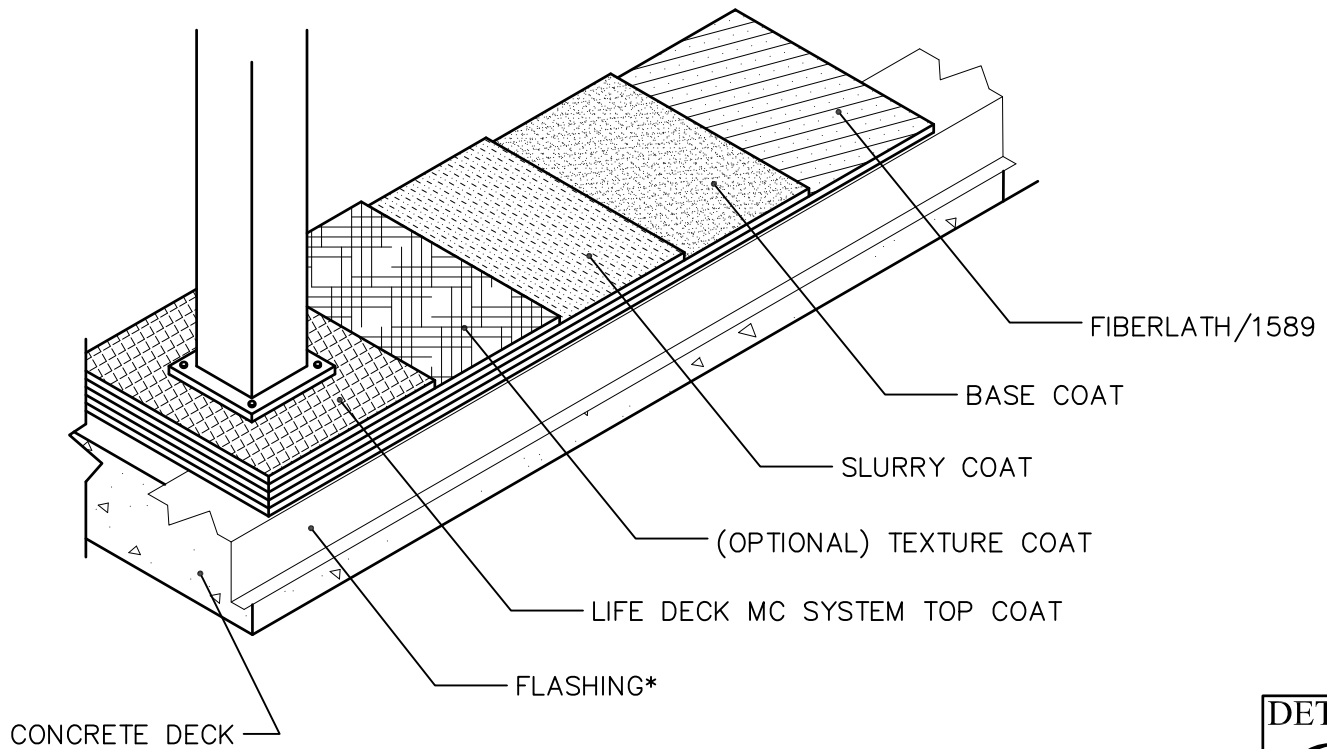
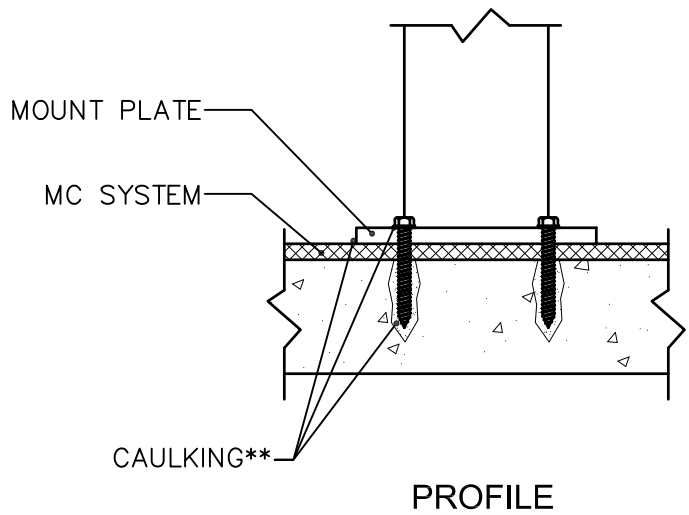


LIFE PAINT COMPANY  
12927 Sunshine Avenue  
Santa Fe Springs, CA 90670

[www.lifedeck.biz](http://www.lifedeck.biz)  
[info@lifepaint.com](mailto:info@lifepaint.com)  
(562) 944-6391

\*FLASHING NOTE: 26 GAUGE  
 GLAVANIZED/BONDERIZED SHEET  
 METAL FLASHING. 4" MIN  
 (102mm) STEP. 2" MIN (51mm)  
 FACING WITH DRIP EDGE.

\*\*CAULKING NOTE: APPLY  
 MANUFACTURER'S RECOMMENDED  
 CAULKING OR JOINT SEALANT.



DET.:  
**6A**

## POST RAILING

## LIFE SPECIALTY COATINGS

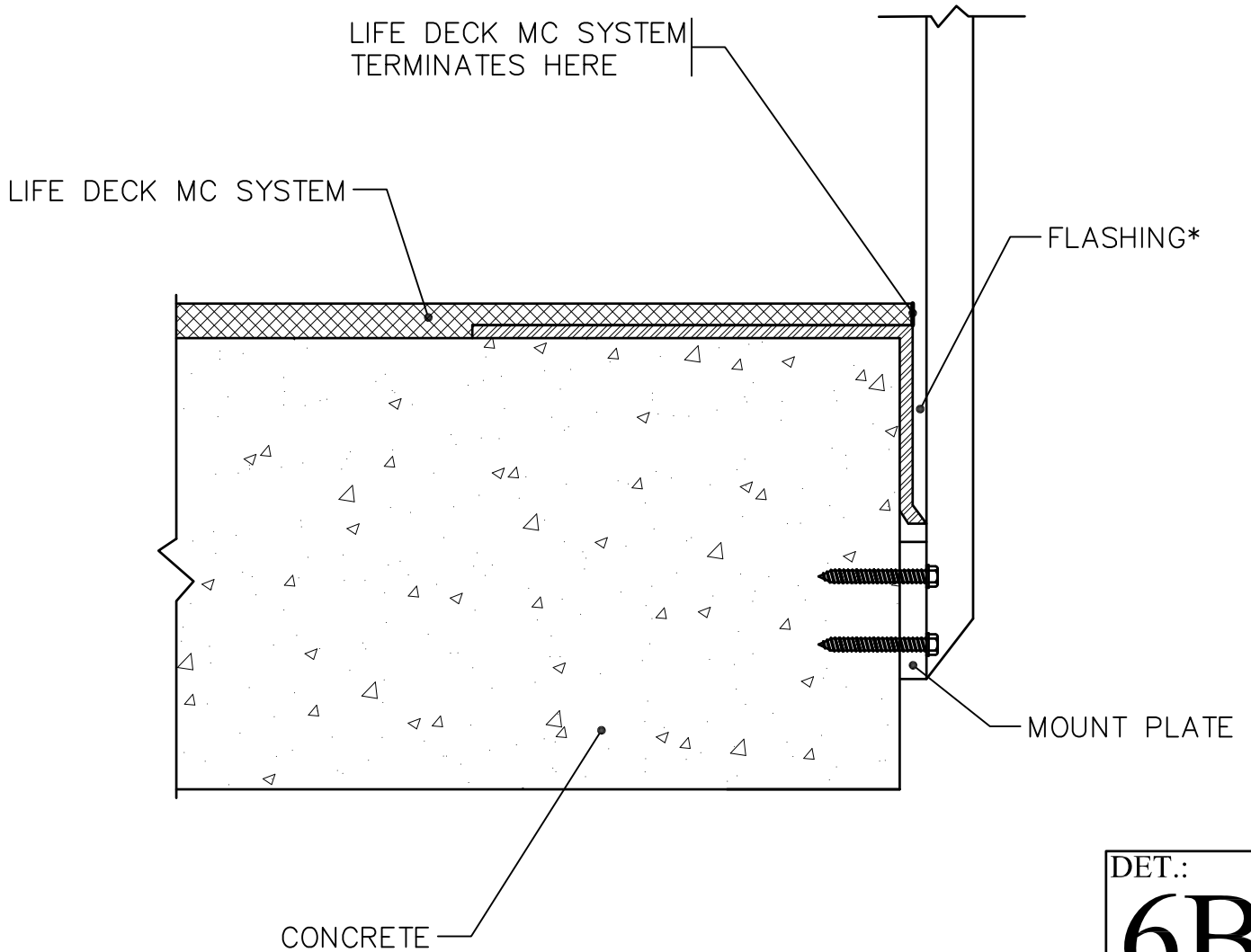


LIFE PAINT COMPANY  
 12927 Sunshine Avenue  
 Santa Fe Springs, CA 90670

[www.lifedeck.biz](http://www.lifedeck.biz)  
[info@lifepaint.com](mailto:info@lifepaint.com)  
 (562) 944-6391



\*FLASHING NOTE: 26 GAUGE  
GALVANIZED/BONDERIZED SHEET METAL  
FLASHING. 4" MIN (102mm) STEP. 2"  
MIN (51mm) FACING WITH DRIP EDGE.



## SIDE MOUNT RAILING

## LIFE SPECIALTY COATINGS



LIFE PAINT COMPANY  
12927 Sunshine Avenue  
Santa Fe Springs, CA 90670

[www.lifedeck.biz](http://www.lifedeck.biz)  
[info@lifepaint.com](mailto:info@lifepaint.com)  
(562) 944-6391